

SITE SUPERVISION REPORT
EARTHQUAKE MEMORIAL MULTIPURPOSE COVERED HALL
CHRONOLOGICALLY ACCORDING TO CONSTRUCTION PROCESS

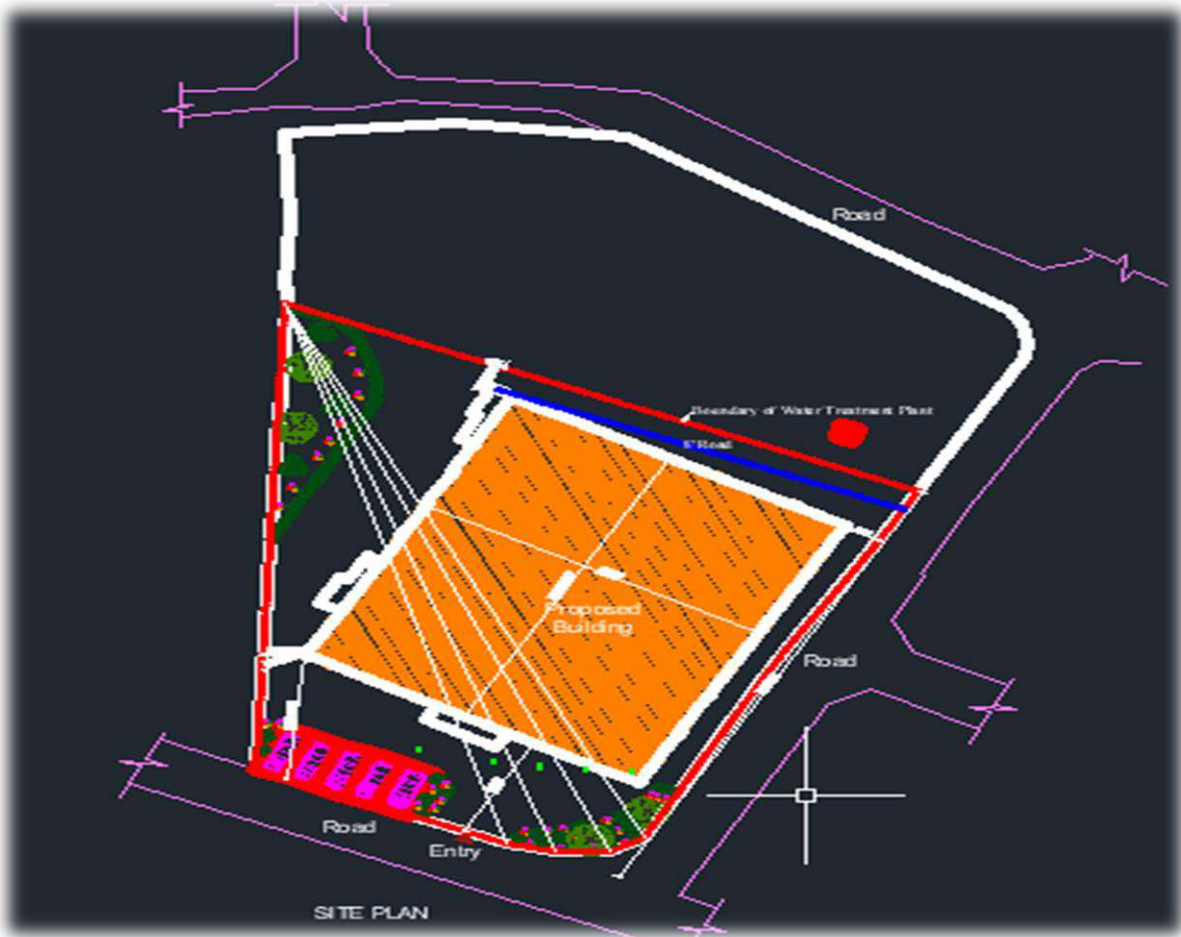


Figure: Site Plan.

PROJECT : EARTHQUAKE MEMORIAL MULTIPURPOSE COVERED HALL
SITE : DALLU AAWAS, KATHMANDU
CLIENT : NEPAL OLYMPIC COMMITTEE, SATDOBATO, LALITPUR
CONSULTANT: U.S.P DESIGN (P) LTD. TRIPURESHWOR, KATHMANDU

Contents

1. INTRODUCTION..... 3

2. THE BUILDING PROCESS..... 3

2.1 Site Clearance..... 3

2.1.1 Theory..... 3

2.1.2 Application for Site Clearance 3

2.1.3 Site planning..... 4

2.1.5 Sitting Out 4

2.1.6 Foundations..... 5

2.1.7 Theory..... 5

2.1.8 Application for Foundation..... 5

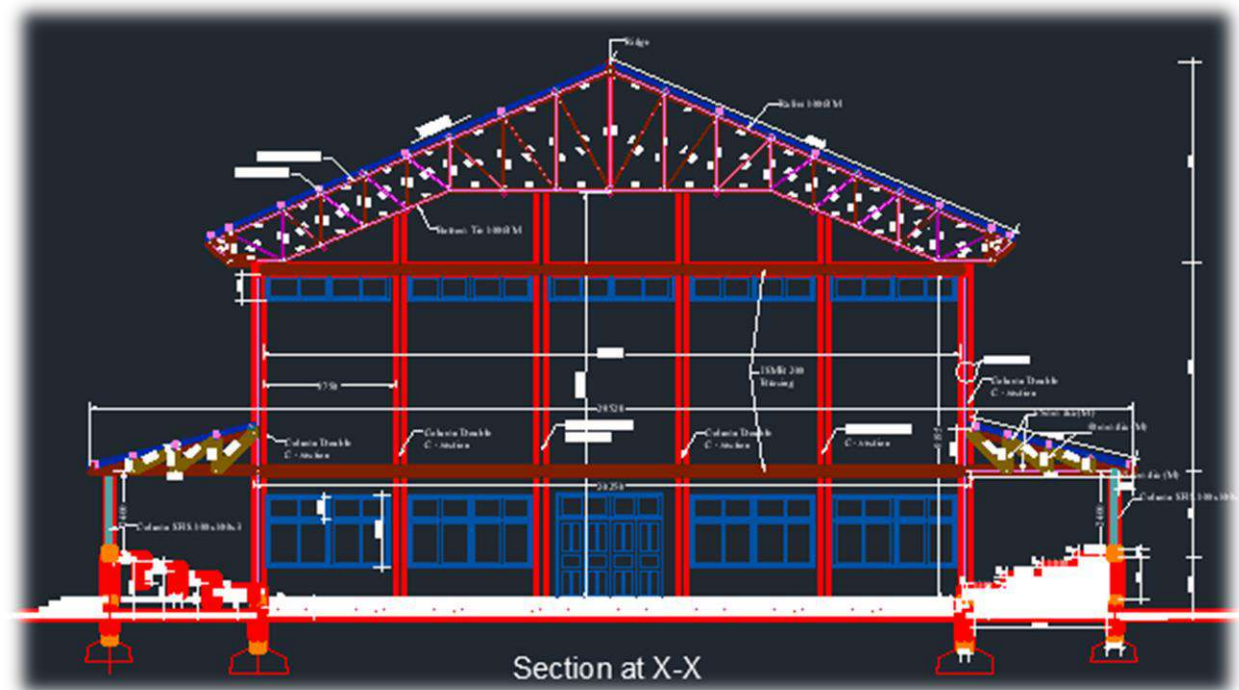
2.1.9 Evaluation 5

2.1.10 SITE CONDITION PICTURE..... 7

REPORT ON A SITE VISIT

1. INTRODUCTION

The purpose of compiling this report is to study the construction of Earthquake Memorial Multipurpose Covered Hall phase in series through progressive Trades, by observing collecting information through weekly site visits to equate model construction process that is standardized nationally and internationally with the Practice on our site. Location of is situated at Dallu Aawas, Kathmandu. Since the report is in series of trades in consecutive phases it clearly provides an idea how building processes are done.



2. THE BUILDING PROCESS

2.1 Site Clearance

2.1.1 Theory

Site Clearance is creating a conducive space suitable to begin construction properly. This includes digging up, removing debris, vegetation, rubbish, shrubs and trees exceeding 200mm girth. Ground is prepared to be level after removal of all things in the building boundaries that are specified to be removed and remain on ground by building plan.

2.1.2 Application for Site Clearance

Clearing site requires knowledge of what will affect the building that is being constructed from the moment of digging up for foundation trenches, plumbing and to the finished infrastructure position that is being assembled. Local Authority underground pipeline map is used to

determine where and where not to dig, the depth is also specified to avoid bursting underground pipes. Construction sites differ so there is no fixed procedure to site clearance, some sites require heavy machinery like Bulldozers, front end-loader and other tipper trucks to remove waste. Top soil is removed as a process of preparing the digging of trenches of foundations, good quality soil is kept for landscaping and poor quality can be also kept to fill foundation and levelling ground.

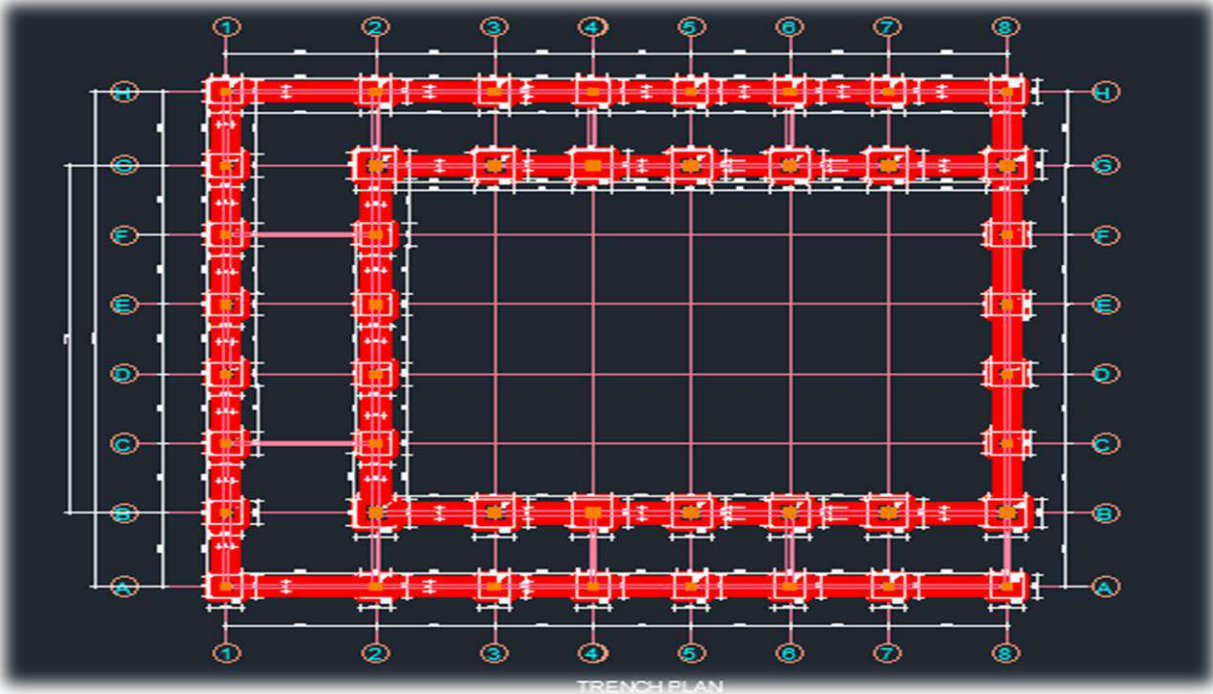
2.1.3 Site planning

Site planning is done for protecting both the site and the public in which construction takes place.

Barriers, Fences, and lockable entrances possibly will be requisite to keep the public safe from the site. Ordered security should be necessary when there is a worry about restricted access or stealing from the site. Depending on the specific site things like temporary accommodation and toilets has to be organized.

Health and Safety in Employment Regulations require that every site should have suitable toilet, washing facilities, supply of drinking water first aid accommodation for wears and mealtime.

2.1.5 Sitting Out



2.1.6 Foundations

2.1.7 Theory

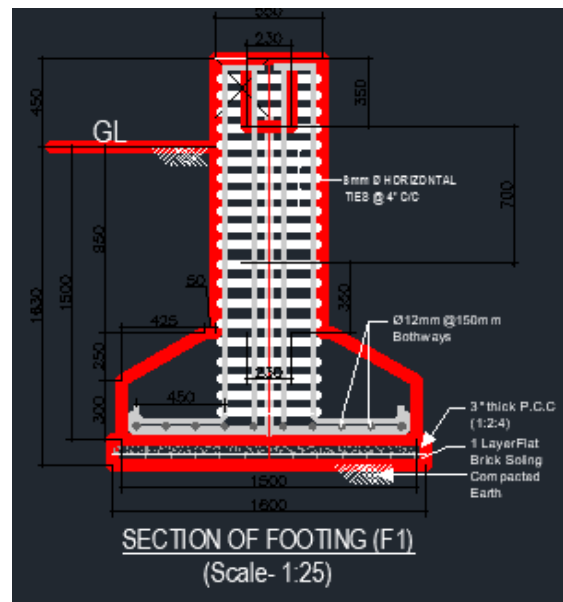
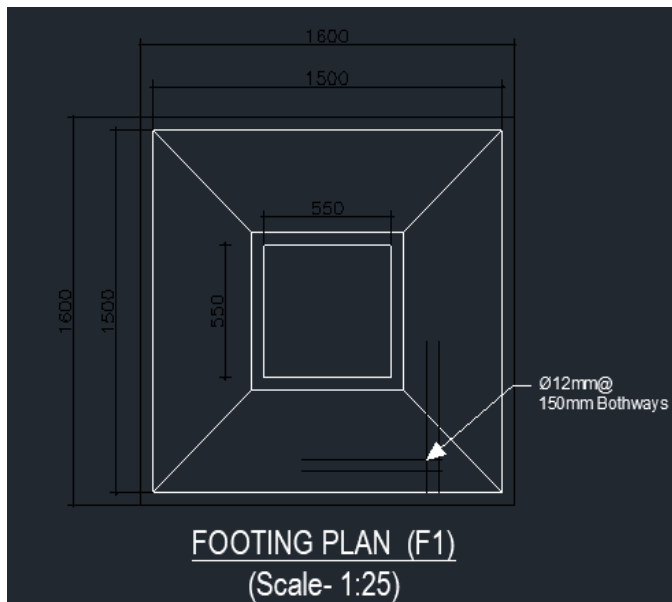
Foundation wants attention and research of that specific construction site since foundations are affected by geographical position; dry or wet are, drainage in that area and many other factors to be determined. Foundation requires proper measurements of lengths, depth and correct concrete mix with reinforcement if necessary. Since there are no standard construction site foundations are dug to depth that will allow level foundation. Place where the foundation has to be dug deep that other sides due to sloping ground it has to be stepped in courses.

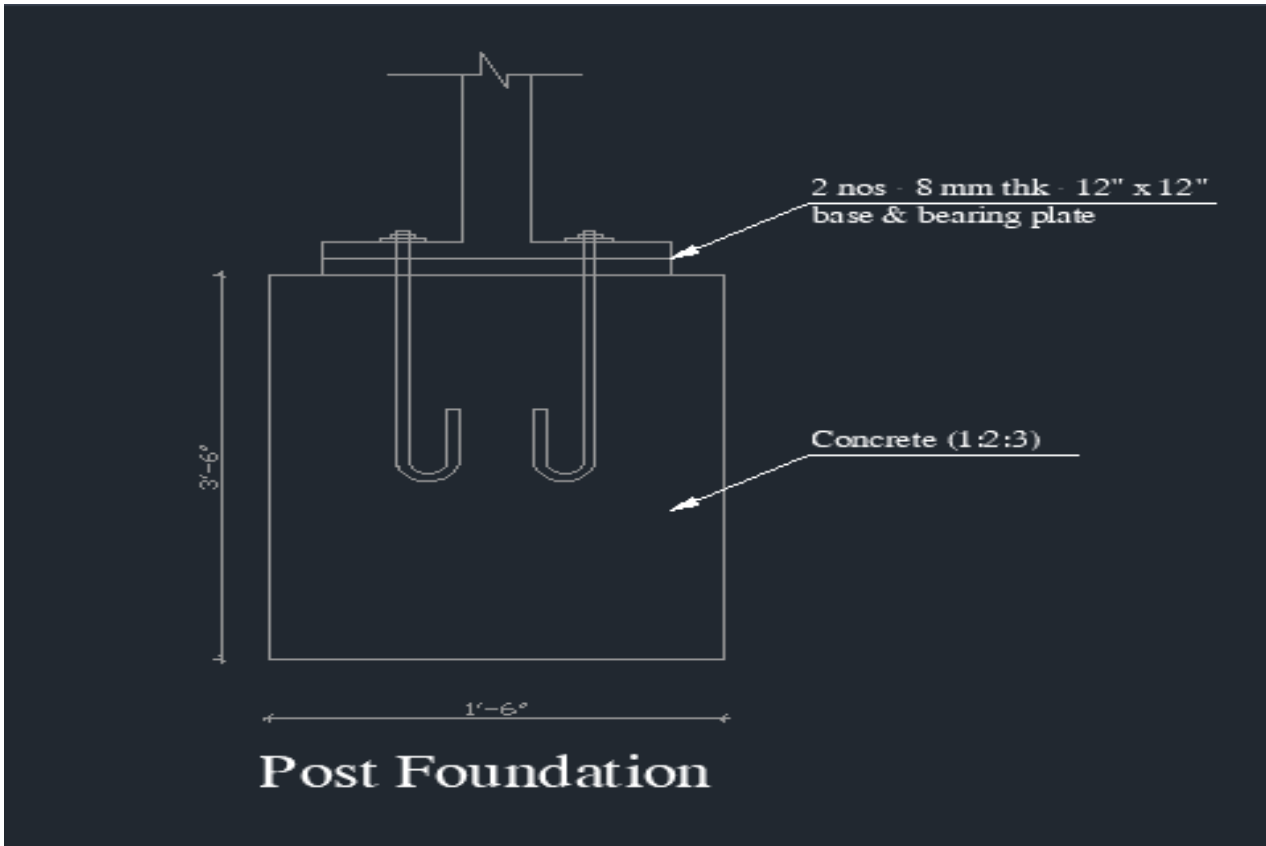
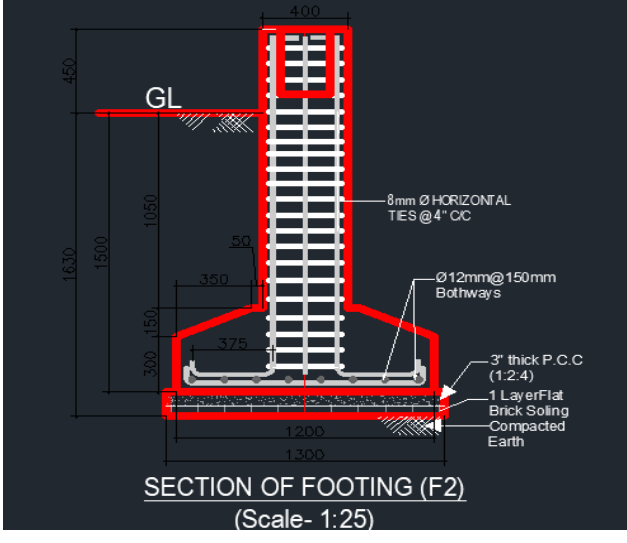
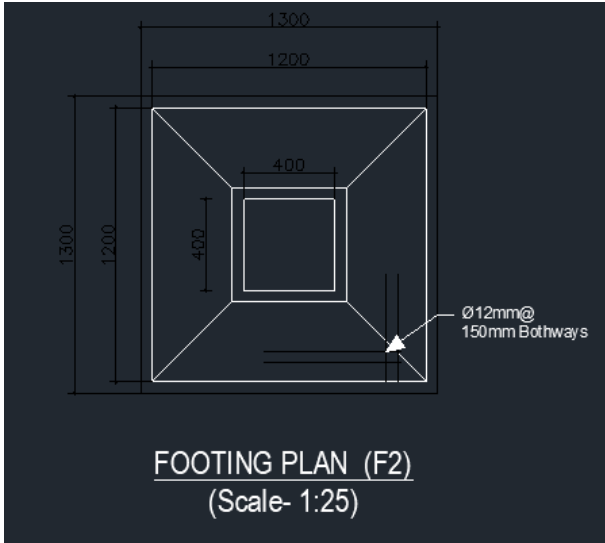
2.1.8 Application for Foundation

Firstly, with information about soil conditions and other construction site implications a contractor and his/her team choose which type of foundation has to be implemented on site considering stability it will prove to the structure. Type of foundation is chosen so trenches are dug up according to the setting out on site from the drawing with proper measurements for depth and length.

2.1.9 Evaluation

Digging of trenches done with great measure of depth and length proposed, the trenches dug are then checked and cleaned for bio-degradable substance like underground roots that would possible deteriorate disturbing the setting of foundations.





2.1.10 SITE CONDITION PICTURE
Earthwork 1630X1600 MM EXCAVATION



FLAT BRICK SOLING AND COMPACTION



3" THICK P.C.C (1:2:4)



LAYOUT FOR FOOTING



REBAR WORKS FOR FOOTING AND COLUMN 12MM@150MM BOTHWAY IN FOOTING AS WELL AS 8MM HORIZONTAL TIES 4”C/C.



Site Inspected by Jeevan Ram Shrestha Sir & Dallu Aawas Community



Meeting with Jeevan Ram Shrestha Sir, Dallu Aawas Community, Consultant & Contractor

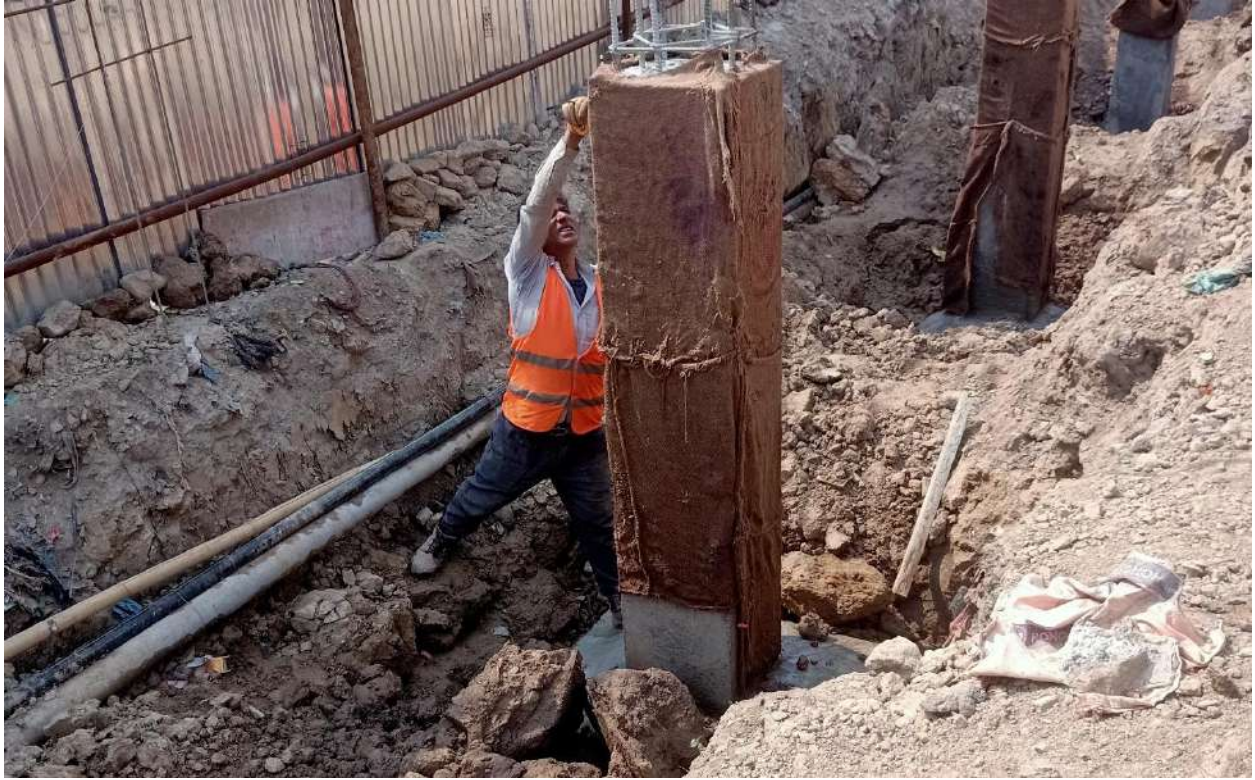


COLUMN FORMWORK & REINFORCEMENT



COLUMN CURRING WORK





FLAT BRICK SOLING AND COMPACTION FOR BRICK WORK



PCC WORK FOR BRICK WORK





INTER CONNECT BRICK WORK









TIE BEAM REBAR WORKS







L-SECTION PLATING AND BOLTING WORKS





Tie Beam Form Work





TIE BEAM REINFORCEMENT WORK







**ALL THE ABOVE WORKS DONE ACCORDING TO ENGINEERING DRAWINGS AND
SITE ENGINEER SUPERVISION**

THANK YOU

**PREPARED BY : ER. BIKRAM Kr. SHAH
DATE : 31st - May - 2023**